

# LogiLink®

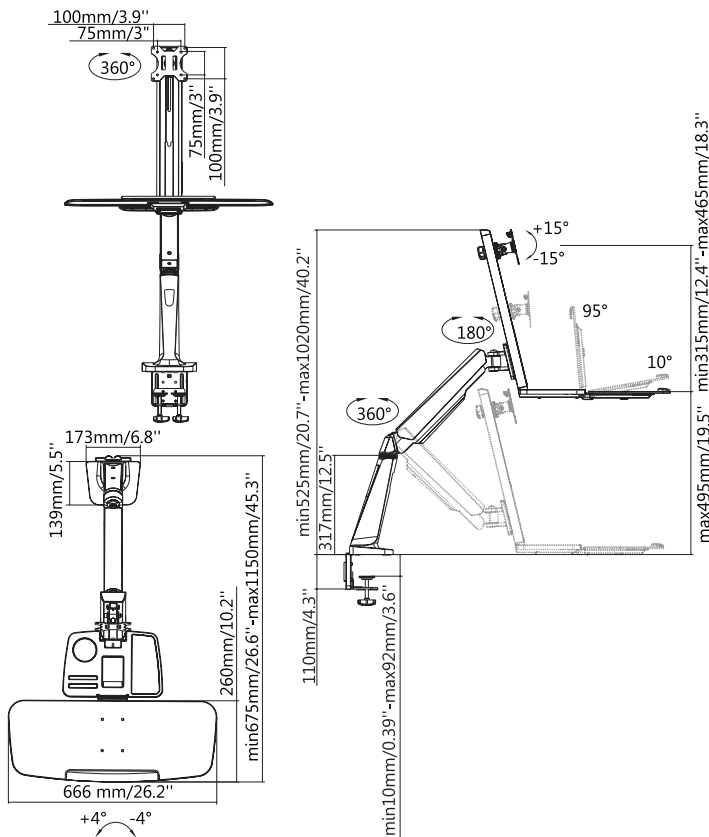
## Sit-Stand Workstation for 13"-32" Monitor

Art. No.: BP0040



### Features:

- » Fit for 13"-32" LED/LCD monitors and screens
- » Easily lift monitor and keyboard to proper height
- » Gas spring structure offers perfect counterbalance presentation
- » Built-in spring gauge for perfect weight adjustment
- » Second storage tray for phones, stationary, and other accessories
- » Safety ledge stopper prevents your devices from slipping
- » Neat and efficient cable management
- » Both grommet and desk clamp mounting available
- » VESA compliant: 75x75mm, 100x100mm



Best Connectivity



\* The specifications and pictures are subject to change without notice.  
\* All trade names referenced are the registered trademark of their respective owners.



BP0040



4 052792 046458

Made in China

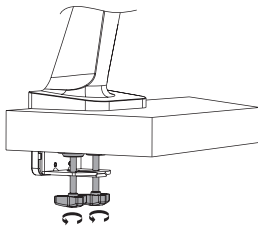
# LogiLink®

## Sit-Stand Workstation for 13"-32" Monitor

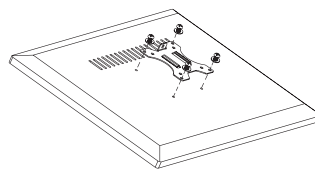
Art. No.: BP0040



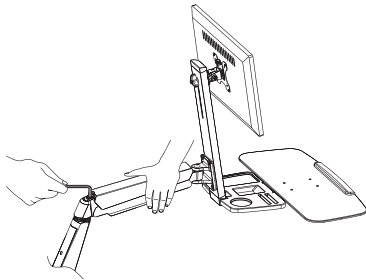
1



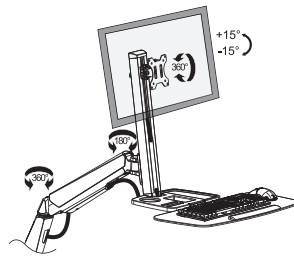
2



3



4



### Specification:

Screen Size	13"-32"
Rated Load	2-8kg/4.4-17.6lbs
VESA	75x75, 100x100
Arm Extend	442mm
Tilt	15° ~ -15°
Swivel	90°~-90°
Rotate	180°~-180°
Product Size	666 x 1150 x 1020mm

Fits  
**13"-32"**  
Monitor

**VESA**  
Max.  
100x100mm

**Arm  
Extend**  
442mm

**rated**  
2-8kg/  
4.4-17.6lbs

**ROTATION**  
-180° ~ 180°

**TILT**  
15° ~ -15°

**SWIVEL**  
90° ~ -90°

### Package Contents:

- » 1 x Sit-Stand Workstation
- » 1 x Screw Package
- » 1 x User Manual

### Package Informations:

- » Packing Dimension: 935 x 575 x 190mm
- » Packing Weight: 14.1kg
- » Carton Dimension: 935 x 575 x 190mm
- » Carton Q'ty: 1pcs
- » Carton Weight: 14.1kg



\* The specifications and pictures are subject to change without notice.  
\* All trade names referenced are the registered trademark of their respective owners.



BP0040



4 052792 046458

Made in China