



## CAT.6 Modular Plug, Toolless

Part no.: MP0025

### Technical Features

Cat.6 UTP modular plug, toolless

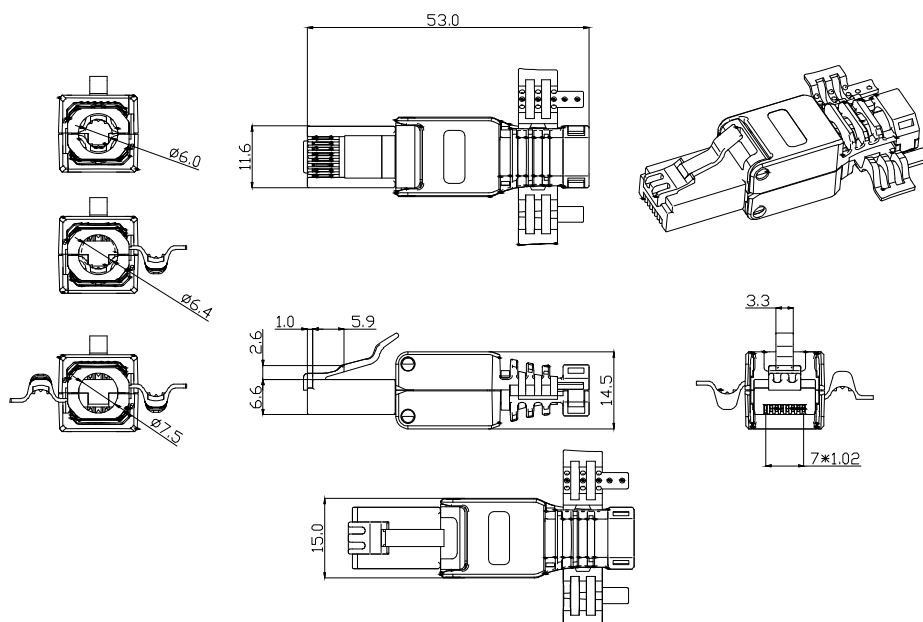
Wire: AWG22 – AWG26

Cable Diameter: 6.3mm max.

Material: PC

Color: White RAL 9003

### Technical Drawings



MP0025



4 052792 042504

Made in China

[www.logilink.de](http://www.logilink.de)



RoHS  
compliant



\* The specifications and pictures are subject to change without notice.  
\* All trade names referenced are the registered trademark of their respective owners.

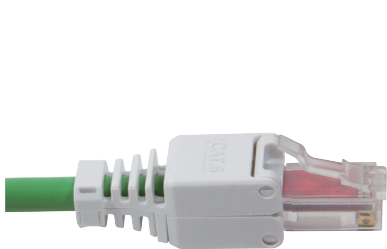
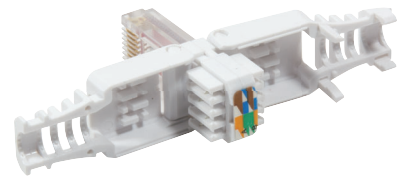
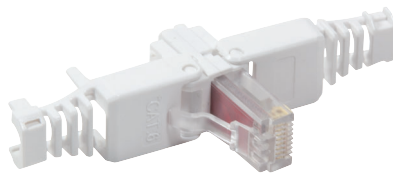
## Package Contents

1 x CAT. 6 Modular Plug, Toolless

1 x User Manual

## Packaging Informations

Packing Dimension	100 x 70 x 15mm
Packing Weight	0.007kg
Carton Dimension	620 x 420 x 230mm
Carton Q'ty	1000pcs
Carton Weight	8.5kg



MP0025



4 052792 042504

Made in China

[www.logilink.de](http://www.logilink.de)



RoHS  
compliant



\* The specifications and pictures are subject to change without notice.  
\* All trade names referenced are the registered trademark of their respective owners.