



French Face Plate Modular Insert, 22.5 x 45mm

Part no.: NF0001

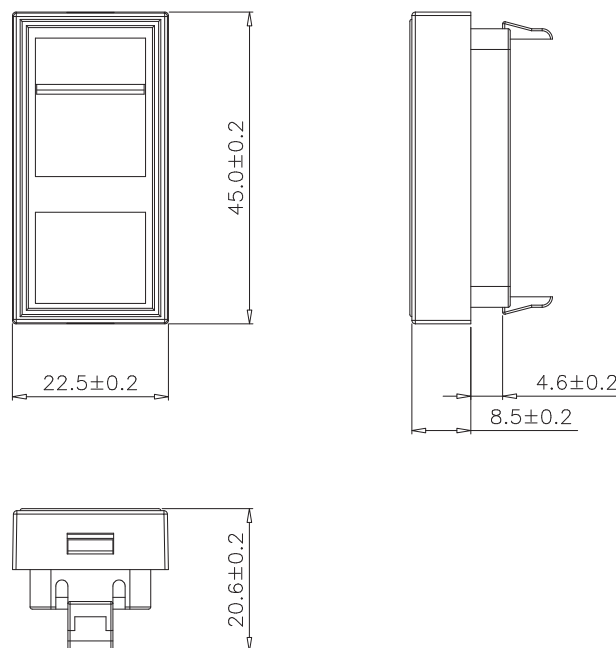
Technical Features

Modular insert with jack shutter

Outer dimension: 22.5 x 45 x 20.6mm

Color: RAL9010 white

Technical Drawings



NF0001



4 052792 045062

Made in China

www.logilink.de



RoHS
compliant

* The specifications and pictures are subject to change without notice.
*All trade names referenced are the registered namework of their respective owners.

Package Contents

1 x French Face Plate Modular Insert, 22.5 x 45mm

Packaging Informations

Packing Dimension	80 x 115 x 0.04mm
Packing Weight	0.069kg
Carton Dimension	413 x 381 x 305mm
Carton Q'ty	1000pcs
Carton Weight	6.9kg

NF0001



Made in China

www.logilink.de



RoHS
compliant

* The specifications and pictures are subject to change without notice.
*All trade names referenced are the registered namework of their respective owners.