



Cat.6 Wall Outlet

Technical Features

Category 6 Class E 250 MHz

TIA/EIA 568B.2-1

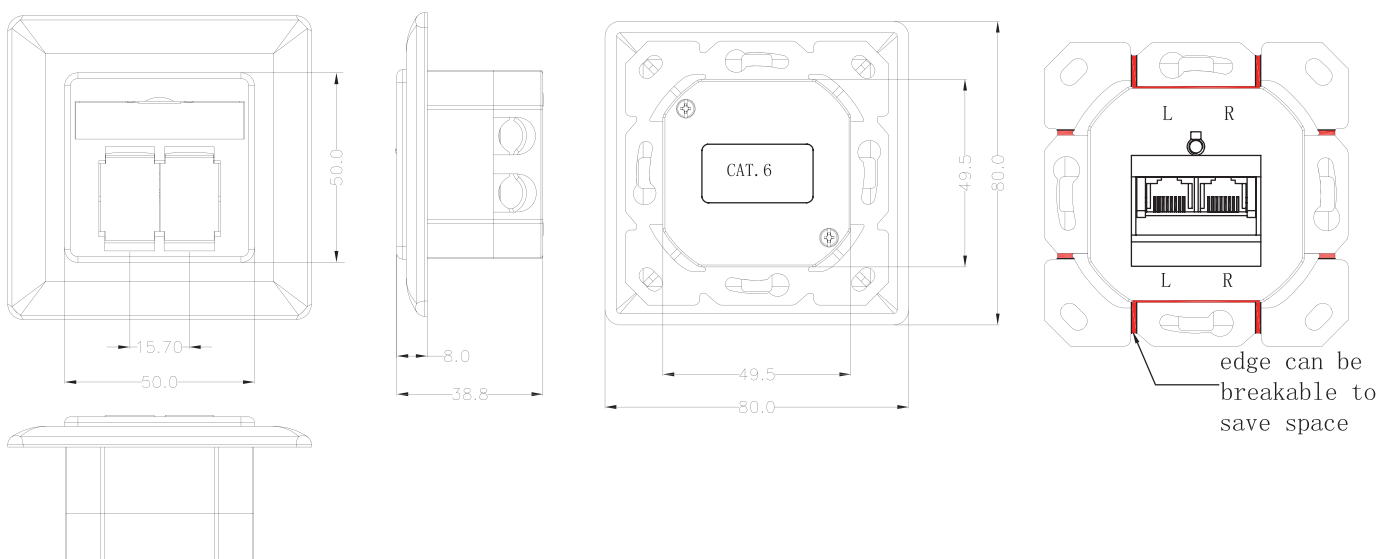
LSA Terminal Code T568 A/B, for AWG22-24 Solid Cable

2 shielded RJ45 jacks 40° angled

Vertical cable entry, Flush Mount Installation (UP)

Fully shielded housing

Technical Drawings



www.logilink.com



RoHS
compliant



Made in China

* The specifications and pictures are subject to change without notice.
*All trade names referenced are the registered trademark of their respective owners.

Part no.	Color	EAN Code
NP0023V	RAL9010 Pure White	4052792028614
NP0024V	RAL9003 Signal White	4052792028621

Package Contents

Cat.6 Wall Outlet x1

Packaging Informations

Packing Dimension	80 x 80 x 40mm
Packing Weight	0.25kg
Carton Dimension	365 x 365 x 300mm
Carton Q'ty	64pcs
Carton Weight	17.6kg

