



CAT 5e Surface Modular Outlet

Part no.: NP0035A

Technical Features

Category 5e Class D 100MHz

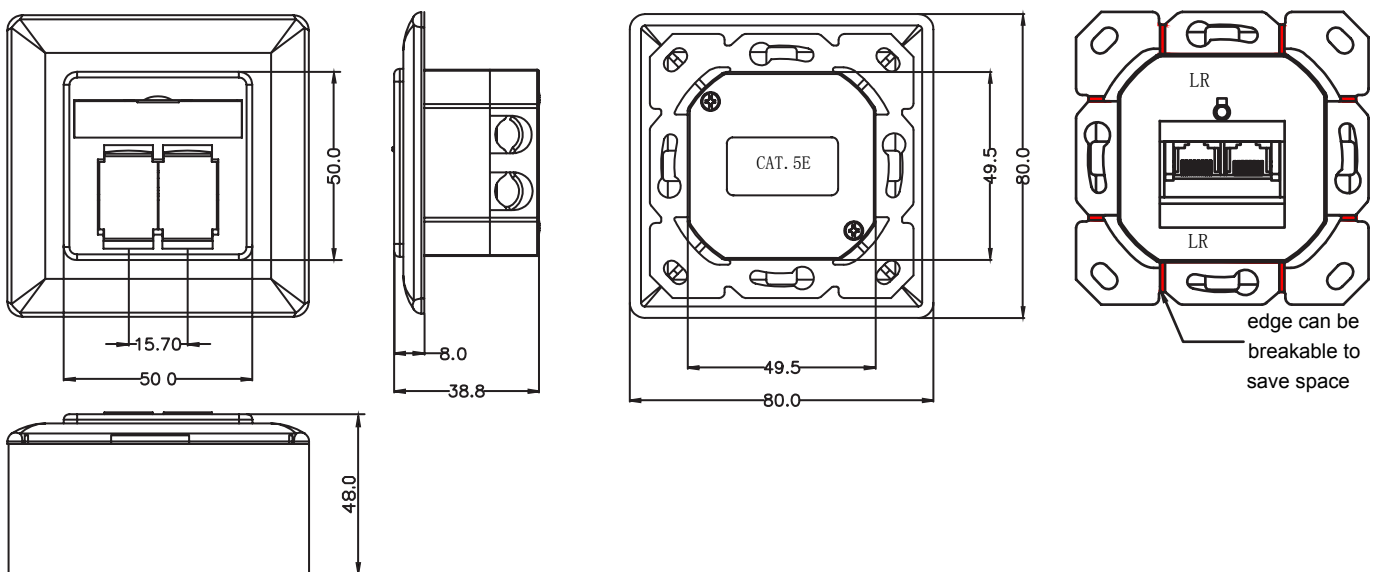
2 x Shielded RJ45, 40° angled

Fully shielded housing

Flush-and surface mount

Color: RAL9003 signal white

Technical Drawings



NP0035A



4 052792 034363

Made in China

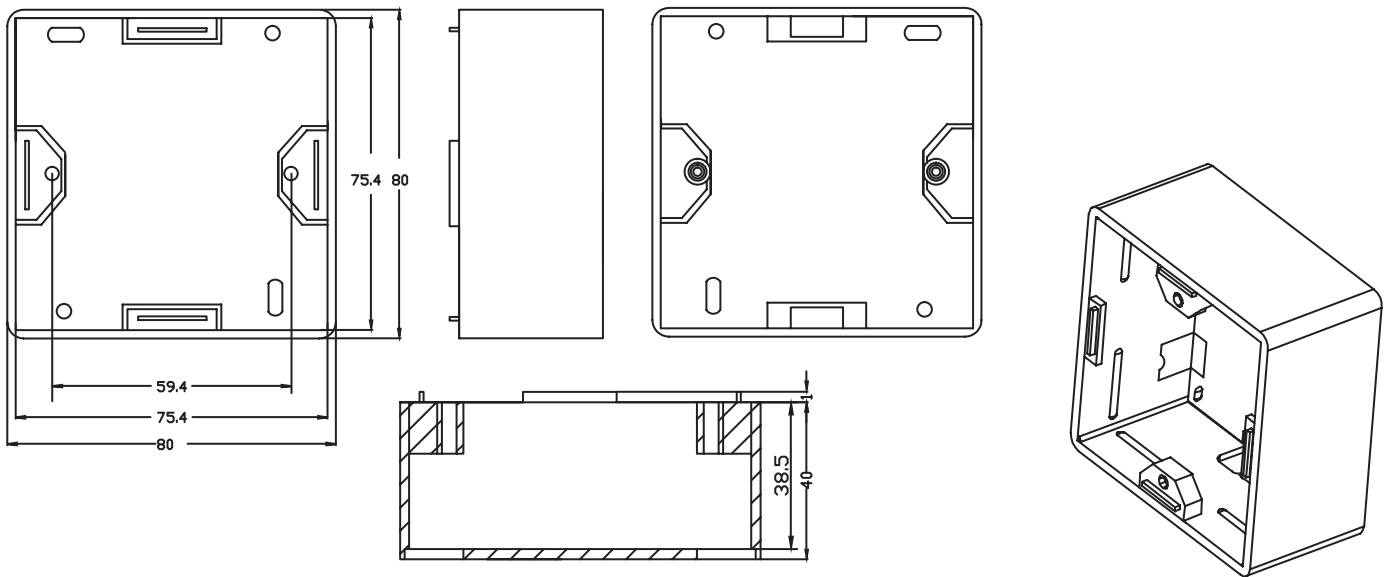
www.logilink.com



RoHS
compliant



* The specifications and pictures are subject to change without notice.
*All trade names referenced are the registered trademark of their respective owners.



Package Contents

CAT 5e Surface Modular Outlet x 1

Packaging Informations

Packing Dimension	85 x 85 x 65mm
Packing Weight	0.252kg
Carton Dimension	360 x 360 x 260mm
Carton Q'ty	64pcs
Carton Weight	16.9kg



NP0035A



4 052792 034363

Made in China

www.logilink.com



RoHS
compliant



* The specifications and pictures are subject to change without notice.
*All trade names referenced are the registered trademark of their respective owners.