

LogiLink®



384kHz/32bit DSD USB Audio DAC

Art. No.: UA0271

The 384kHz/32bit USB Audio DAC is a super-high resolution USB to optical digital/DSD (Direct Stream Digital) converter that takes an audio signal from your computer and delivers the highest quality digital signal to any audio component with a digital input.

The UA0271 is capable of converting high resolution PCM audio up to 384 kHz, and DSD audio up to 128xDSD. The DAC allows you to bypass your computer's soundcard or headphone output and send digital audio signals through the USB interface. With this perfect digital interface between your computer and your music system, you can achieve the exact performance level needed for any given circumstance.

Additionally, it has a built-in high quality headphone amplifier with both 3.5mm and 6.5mm jacks, for connecting any kind of headphones.

This is USB-bus-powered or you can use an optional AC wall adapter (not included).

Features:

- » Super-high resolution USB to optical/DSD converter
- » Supports high resolution PCM audio up to 32-bit/384kHz and DSD128 audio playback
- » Advanced audio stream interface supports both ASIO and WASAPI
- » Analog volume control
- » LED indicators for DSD and PCM playback
- » Built-in powerful headphone amp supports 16-600ohm headphones
- » High quality metallic finished case
- » Dual headphone outputs: 3.5mm & 6.3mm
- » Digital and analog outputs
- » USB-bus-powered or optional AC adapter

Specification:

| | |
|--------------------------------|--|
| Chipset | SA9227 |
| Sampling Rates | 44.1, 48, 88.2, 96, 176.4, 192, 352.8, 384 kHz |
| Direct Stream Digital Rates | DSD64, DSD128 |
| Audio Stream Interface Support | ASIO and WASAPI |



UA0271



4 052792 040913

Made in China



RoHS
compliant



* The specifications and pictures are subject to change without notice.

*All trade names referenced are the registered namework of their respective owners.

LogiLink®

384KHz/32bit DSD USB Audio DAC

Art. No.: UA0271



| | |
|---|--|
| Connection | (1) 3.5mm jack analog/digital (2) 3.5mm stereo headphone jack (3) 6.3mm stereo headphone jack (4) USB B female port |
| Volume Control | Yes |
| Signal-to-noise Ratio | 112dB |
| Low distortion | THD+N 0.003% |
| Max. Headphone Output Power (at 1KHz and single channel) | 210mW/16ohm 190mW/32ohm 35mW/600ohm |
| Headphone Drive Ability | 16-600ohm |
| Power | USB or power adapter (5 VDC, 500 mA, center-positive, sold separately) |
| LED Indicators | DSD and PCM playback |
| Dimension (L x W x H) | 94 x 67 x 30mm |
| Weight | 165g |

System Requirement:

- » Windows 10/8.x/7, Vista 32/64-bit, XP 32bit, MAC OSX, iOS and Android with USB Audio Driver
- » PC with one High Speed USB 2.0 interface



UA0271



4 052792 040913

Made in China



RoHS
compliant

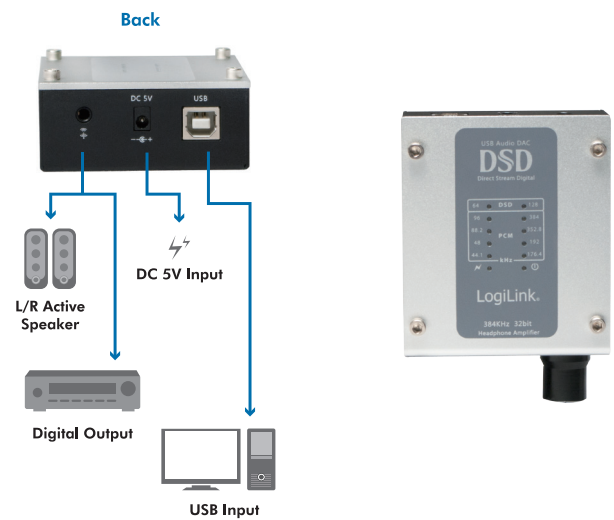
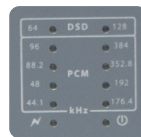
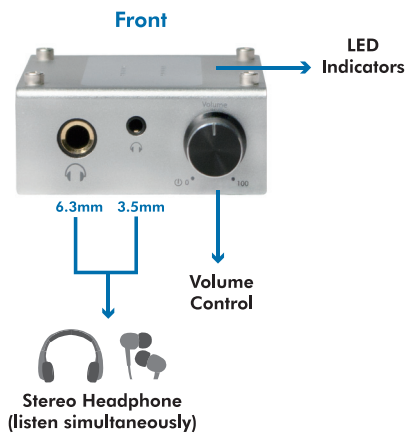


* The specifications and pictures are subject to change without notice.
* All trade names referenced are the registered namework of their respective owners.

LogiLink®

384KHz/32bit DSD USB Audio DAC

Art. No.: UA0271



Package Contents:

- » 1 x 384KHz/32bit DSD USB Audio DAC
- » 1 x 3.5mm to RCA Cable
- » 1 x Software Driver CD
- » 1 x USB A to B Cable
- » 1 x USB to DC Charging Cable
- » 1 x User Manual

Package Informations:

- » Packing Dimension: 141 x 172 x 71mm
- » Packing Weight: kg
- » Carton Dimension: 540 x 370 x 310mm
- » Carton Q'ty: 30pcs
- » Carton Weight: 14.44kg



UA0271



Made in China



RoHS
compliant



* The specifications and pictures are subject to change without notice.
* All trade names referenced are the registered network of their respective owners.